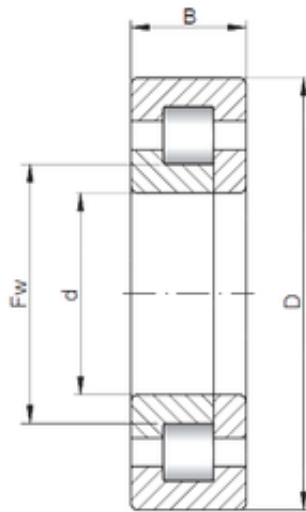




NTN Bearing Driveshaft do Brasil



70 mm x 110 mm x 20 mm 70 mm x 110 mm x
20 mm ISO NUP1014 cylindrical roller bearings

Bearing No. NUP1014

Size	70x110x20 mm
Bore Diameter	70 mm
Outer Diameter	110 mm
Width	20 mm
d	70 mm
D	110 mm
B	20 mm
C	20 mm

NUP1014 Bearing 2D drawings and 3D CAD models