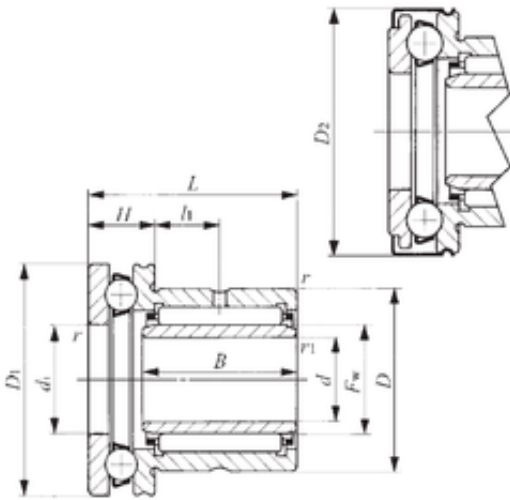




NTN Bearing Driveshaft do Brasil

20 mm x 37 mm x 20,5 mm 20 mm x 37 mm x 20,5 mm IKO NAXI 2030Z complex bearings

Bearing No. NAXI 2030Z



NAXI 2030Z Bearing 2D drawings and 3D CAD models

Bore Diameter	20 mm
Outer Diameter	37 mm
d	20 mm
Fw	25 mm
D	37 mm
D1	42 mm
D2	43 mm
B	20,5 mm
d1	25 mm
r min.	0,6 mm
r1 min.	0,3 mm
H	11 mm
L	30 mm
L1	9,5 mm
da min.	35 mm
db	24 mm
Weight	0,163 Kg
Dynamic load rating radial (C)	20 kN
Dynamic load rating axial (C)	19,6 kN
Static load rating radial (C0)	32,1 kN
Static load rating axial (C0)	29,7 kN
Category	Bearings
Inventory	0.0
Manufacturer Name	IKO



NTN Bearing Driveshaft do Brasil

Minimum Buy Quantity	N/A
Weight / Kilogram	0
Product Group	B04144