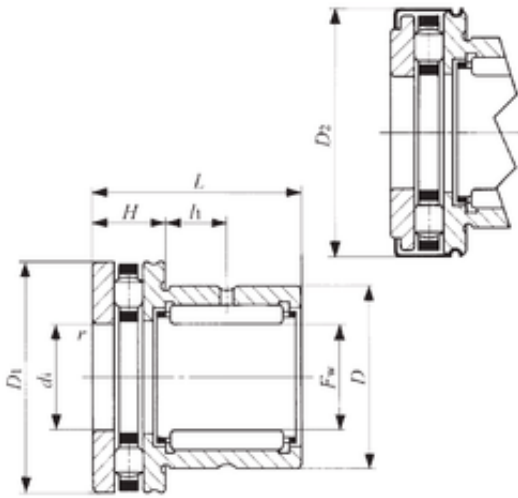




## NTN Bearing Driveshaft do Brasil



NBX 4532Z Bearing 2D drawings and 3D CAD models

### IKO NBX 4532Z complex bearings

Bearing No. NBX 4532Z

Bore Diameter	45 mm
Outer Diameter	58 mm
Fw	45 mm
D	58 mm
D1	65 mm
D2	66,5 mm
d1	45 mm
r min.	0,6 mm
H	14 mm
L	32 mm
L1	9 mm
da min.	62 mm
Weight	0,302 Kg
Dynamic load rating radial (C)	31 kN
Dynamic load rating axial (C)	40,8 kN
Static load rating radial (C0)	60,2 kN
Static load rating axial (C0)	133 kN