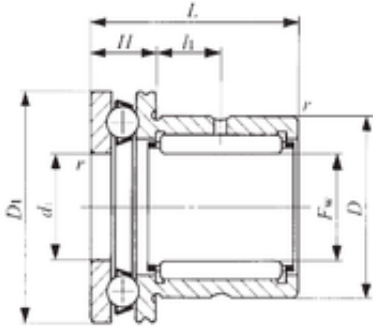




NTN Bearing Driveshaft do Brasil

IKO NAX 5035 complex bearings



Bearing No. NAX 5035

Bore Diameter	50 mm
Outer Diameter	62 mm
Fw	50 mm
D	62 mm
D1	70 mm
d1	50 mm
r min.	0,6 mm
H	14 mm
L	35 mm
L1	10 mm
da min.	62 mm
Weight	0,287 Kg
Dynamic load rating radial (C)	42,2 kN
Dynamic load rating axial (C)	28,8 kN
Static load rating radial (C0)	83,4 kN
Static load rating axial (C0)	60,1 kN

NAX 5035 Bearing 2D drawings and 3D CAD models