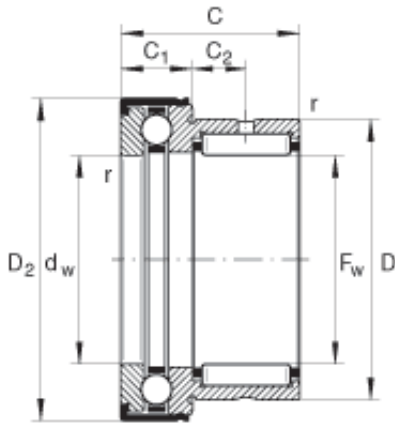




NTN Bearing Driveshaft do Brasil



NKX25-Z Bearing 2D drawings and 3D CAD models

INA NKX25-Z complex bearings

Bearing No. NKX25-Z

Size	25x37x30 mm
Bore Diameter	25 mm
Outer Diameter	37 mm
Width	30 mm
F_w	25 mm
D	37 mm
C - 30 mm / Tolerance: -0,25	30 mm / Tolerance: 0,25
C_1 - 11 mm / Tolerance: -0,2	11 mm / Tolerance: 0,2
C_2	9,5 mm
$D_{2\max}$	43,2 mm
d_a	37,7 mm
d_w	25 mm / Tolerance: E8
$r_{a\max}$	0,6 mm
r_{\min}	0,6 mm
	NAXK25Z / Designation to DIN 5429
m	132 g / Weight
C_r	21300 N / Dynamic load rating (radial)
C_{0r}	30500 N / Static load rating (radial)
C_a	19600 N / Dynamic load rating (axial)
C_{0a}	37500 N / Static load rating (axial)



NTN Bearing Driveshaft do Brasil

C _{ur}	5300 N / Fatigue limit load, radial
C _{ua}	1790 N / Fatigue limit load, axial
n _G	6000 1/min / Limiting speed
	IR20X25X20 / Suitable inner ring
Category	Thrust Roller Bearing
Inventory	0.0
Manufacturer Name	SCHAEFFLER GROUP
Minimum Buy Quantity	N/A
Weight / Kilogram	0.158
EAN	4012802702941
Product Group	B00234
Rolling Element	Combination - Needle Roller and Thrust Ball Bearing
Self Aligning	No
Component Description	Roller Assembly plus Raceways
Thrust Bearing	Yes
Single or Double Direction	Single Direction
Banded	No
Cage Material	Steel
Precision Class	ABEC 1 ISO P0
Other Features	With Grease Retaining Cap
Long Description	25MM Bore 1; 25MM Bore 2; 37MM Outside Diameter; 30MM Height; Combination - Needle Roller and Thrust Ball Bearing; Single Direction; Not Self Aligning; Not Banded; Steel Cage; ABEC 1 ISO P0; Roller
Inch - Metric	Metric



NTN Bearing Driveshaft do Brasil

Category	Thrust Roller Bearings
UNSPSC	31171537
Harmonized Tariff Code	8482.80.00.40
Noun	Bearing
Keyword String	Combination
Manufacturer URL	http://www.ina.com
Manufacturer Item Number	NKX25Z
Weight / LBS	0.276
Bore 2	0.984 Inch 25 Millimeter
Bore 1	0.984 Inch 25 Millimeter
Overall Height with Aligning Washer	0 Inch 0 Millimeter
Height	1.181 Inch 30 Millimeter
Outside Diameter	1.457 Inch 37 Millimeter