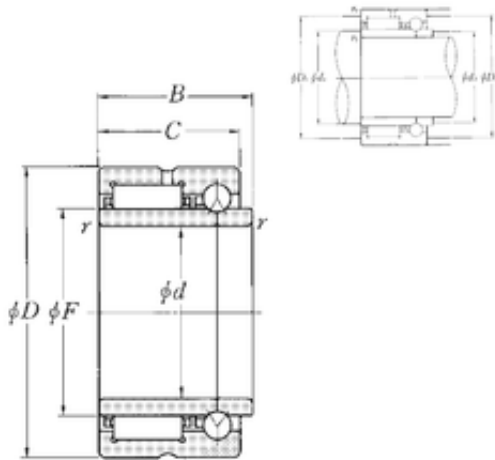




## NTN Bearing Driveshaft do Brasil

60 mm x 85 mm x 38 mm 60 mm x 85 mm x 38 mm NTN NKIB5912R complex bearings



NKIB5912R Bearing 2D drawings and 3D CAD models

Bearing No. NKIB5912R

Size	60x85x38 mm
Bore Diameter	60 mm
Outer Diameter	85 mm
Width	38 mm
d	60 mm
F	68 mm
D	85 mm
B	38 mm
C	34 mm
r min.	1 mm
da min.	66 mm
Da max.	79 mm
ra max.	1 mm
Weight	0,595 Kg
Dynamic load rating radial (C)	61,5 kN
Dynamic load rating axial (C)	11,8 kN
Static load rating radial (C0)	108 kN
Static load rating axial (C0)	32 kN
(Grease) Lubrication Speed	4000 r/min