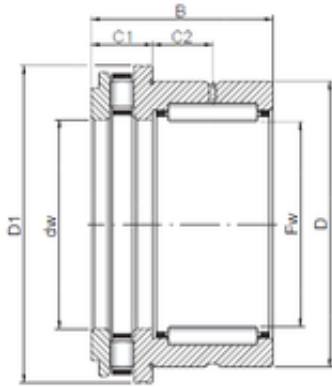




NTN Bearing Driveshaft do Brasil

20 mm x 30 mm x 30 mm 20 mm x 30 mm x 30 mm ISO NKXR 20 complex bearings



Bearing No. NKXR 20

Size	20x30x30 mm
Bore Diameter	20 mm
Outer Diameter	30 mm
Width	30 mm
d	20 mm
Fw	20 mm
D	30 mm
B	30 mm
C1	10 mm
D1	35,1 mm
C2	10,5 mm

NKXR 20 Bearing 2D drawings and 3D CAD models