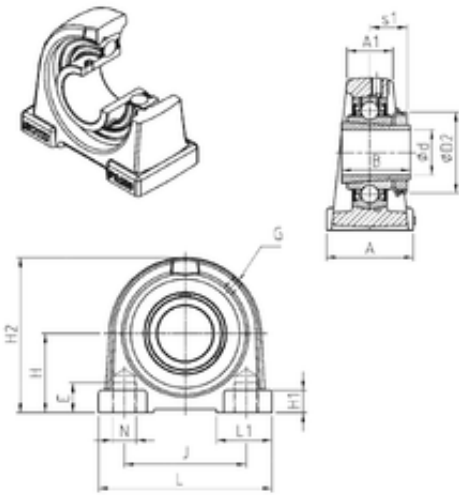




NTN Bearing Driveshaft do Brasil

SNR UKPA209H bearing units

Bearing No. UKPA209H



UKPA209H Bearing 2D drawings and 3D CAD models

Bore Diameter	40 mm
d	40 mm
s1	26 mm
A	60 mm
A1	32 mm
B	50 mm
D2	65 mm
E	25 mm
H	54,2 mm
H1	13 mm
H2	108 mm
J	90 mm
L	120 mm
L1	42 mm
Thread (G)	M6x1
Thread (N1)	M14
Weight	2,2 Kg
Basic dynamic load rating (C)	31,85 kN