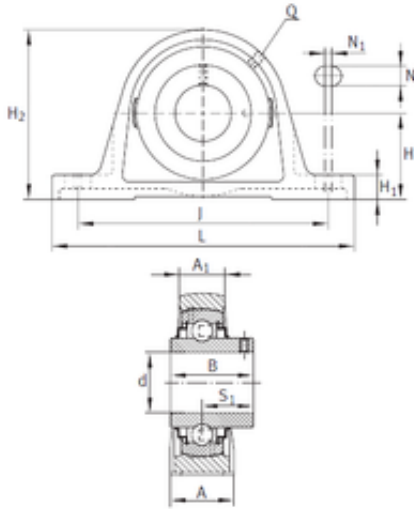




NTN Bearing Driveshaft do Brasil



INA RAKY1 bearing units

Bearing No. RAKY1

Bore Diameter	25,4 mm
d	25,4 mm
S1	19,812 mm
Thread (Q)	1/8 NPT
A	37,008 mm
A1	21,997 mm
B	34,113 mm
H	33,351 mm
H1	14,301 mm
H2	68,276 mm
J	103,759 mm
L	139,7 mm
N	11,989 mm
N1	9,246 mm
Category	Pillow Block Bearings
Inventory	0.0
Manufacturer Name	SCHAEFFLER GROUP
Minimum Buy Quantity	N/A
Weight / Kilogram	0.9
Product Group	M06110
Number of Mounting Holes	2
Mounting Method	Eccentric Collar
Housing Style	2 Bolt Pillow Block
Rolling Element	Ball Bearing
Housing Material	Cast Iron
Expansion / Non-expansion	Non-expansion

RAKY1 Bearing 2D drawings and 3D CAD models



NTN Bearing Driveshaft do Brasil

Relubricatable	Yes
Insert Part Number	GY1100KRRB
Seals	Double Land Riding Rubber Contact
Housing Configuration	1 Piece Solid
Inch - Metric	Inch
Other Features	Single Row Low Base With Set Screw
Long Description	2 Bolt Pillow Block; 1" Bore; 1-5/16" Base to Center Height; Eccentric Collar Mount; Ball Bearing; 3.721" Minimum Bolt Spacing; 4.449" Bolt Spacing Maximum; Relubricatable; Cast Ir
Category	Pillow Block
UNSPSC	31171511
Harmonized Tariff Code	8483.20.40.40
Noun	Bearing
Keyword String	Pillow Block
Manufacturer URL	http://www.ina.com
Manufacturer Item Number	RAKY1
Weight / LBS	1.985
Length Thru Bore	1.343 Inch 34.1 Millimeter
Actual Bolt Center to Center	0 Inch 0Millimeter
Bore	1 Inch 25.4 Millimeter
Bolt Spacing Maximum	4.449 Inch 113Millimeter
Bolt Spacing Minimum	3.721 Inch 94.513Millimeter
Base to Center Height	1.313 Inch 33.35 Millimeter
Nominal Bolt Center to Center	4.1 Inch 105 Millimeter