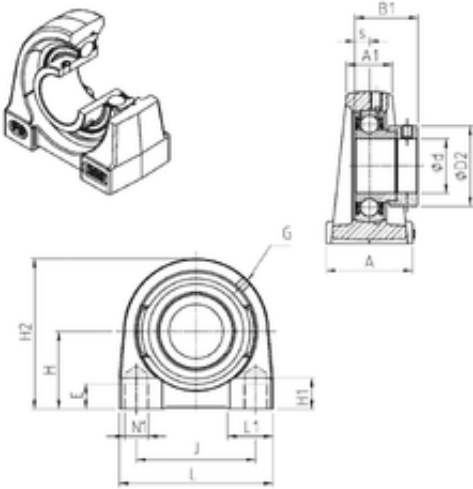




# NTN Bearing Driveshaft do Brasil



## SNR ESPG205 bearing units

Bearing No. ESPG205

Bore Diameter	25 mm
d	25 mm
s	7,5 mm
A	38 mm
A1	25 mm
B1	30,9 mm
D2	38,1 mm
E	18 mm
H	36,5 mm
H1	15 mm
H2	70 mm
J	50 mm
L	75 mm
L1	25 mm
Thread (G)	M6x1
Thread (N1)	M10
Weight	0,7 Kg
Basic dynamic load rating (C)	14 kN

ESPG205 Bearing 2D drawings and 3D CAD models