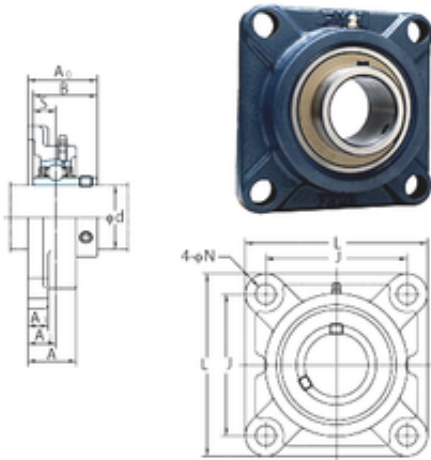




# NTN Bearing Driveshaft do Brasil

## FYH UCF202E bearing units

Bearing No. UCF202E



UCF202E Bearing 2D drawings and 3D CAD models

Bore Diameter	15 mm
d	15 mm
A0	33,3 mm
A	25,5 mm
A1	11 mm
B	31 mm
J	64 mm
L	86 mm
N	11 mm
S	12,7 mm
Bolt (G)	3/8
A2	15 mm
Weight	0,62 Kg
Basic dynamic load rating (C)	12,8 kN
Basic static load rating (C0)	6,65 kN