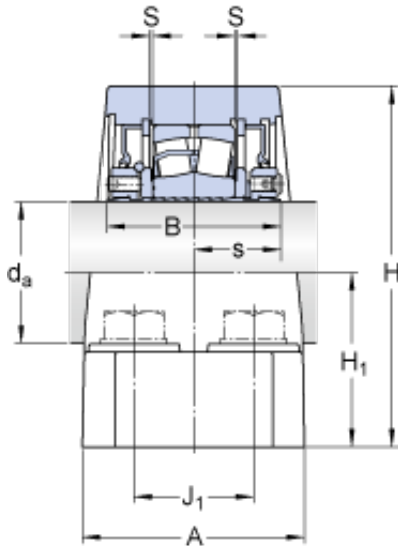




NTN Bearing Driveshaft do Brasil



FSYE 3 N Bearing 2D drawings and 3D CAD models

SKF FSYE 3 N bearing units

Bearing No. FSYE 3 N

Size	76.2x101.6x65.484 mm
Bore Diameter	76,2 mm
Outer Diameter	101,6 mm
Width	65,484 mm
d_a	76.2 mm
A	101.6 mm
B	65.484 mm
H	160.338 mm
H_1	79.375 mm
H_2	47.625 mm
L	304.8 mm
J - max.	257.175 mm
J - min.	231.775 mm
J_1	53.975 mm
s	32.941 mm
S	0.794 mm
Basic dynamic load rating - C	212 kN
Limiting speed	2800 r/min
Category	Pillow Block Bearings
Inventory	0.0
Manufacturer Name	SKF
Minimum Buy Quantity	N/A
Weight / Kilogram	10.9
EAN	7316571525211
Product Group	M06288



NTN Bearing Driveshaft do Brasil

Number of Mounting Holes	4
Mounting Method	Stepped Sleeve
Housing Style	4 Bolt Pillow Block
Rolling Element	Spherical Roller Bearing
Housing Material	Cast Iron
Expansion / Non-expansion	Expansion
Mounting Bolts	5/8 Inch
Relubricatable	Yes
Insert Part Number	22215
Seals	Trigard
Housing Configuration	1 Piece Solid
Inch - Metric	Inch
Other Features	Double Row Heavy Duty Open End With Grub Screw
Long Description	4 Bolt Pillow Block; 3" Bore; 3-1/8" Base to Center Height; Stepped Sleeve Mount; Spherical Roller Bearing; 9-1/8" Minimum Bolt Spacing; 9-7/8" Bolt Spacing Maximum; Relubricatable
Category	Pillow Block
UNSPSC	31171511
Harmonized Tariff Code	8483.20.40.80
Noun	Bearing
Keyword String	Pillow Block
Manufacturer URL	http://www.skf.com
Manufacturer Item Number	FSYE 3 N
Weight / LBS	24
Bolt Spacing Minimum	9.125 Inch 231.775Millimeter
Actual Bolt Center to Center	0 Inch 0Millimeter
Bore	3 Inch 76.2 Millimeter



NTN Bearing Driveshaft do Brasil

Bolt Spacing Maximum	9.875 Inch 250.83 Millimeter
Base to Center Height	3.125 Inch 79.38 Millimeter
Length Thru Bore	2.579 Inch 65.507 Millimeter
Nominal Bolt Center to Center	9.5 Inch 241.3 Millimeter
d_a	76.2 mm
H_1	79.375 mm
H_2	47.625 mm
J max.	257.175 mm
J min.	231.775 mm
J_1	53.975 mm
Basic dynamic load rating C	212 kN
Mass bearing unit	10.9 kg
Attachment bolt diameter G	15.875 mm