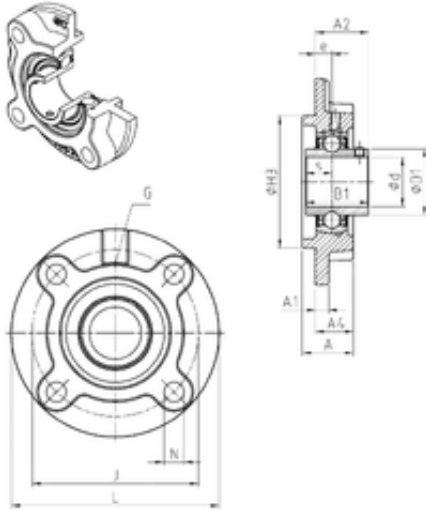




## NTN Bearing Driveshaft do Brasil



### SNR UCFC211 bearing units

Bearing No. UCFC211

Bore Diameter	55 mm
d	55 mm
H3	125 mm
A4	30 mm
e	13 mm
s	22,2 mm
A	42 mm
A1	13 mm
B1	55,6 mm
D1	69 mm
J	150 mm
L	185 mm
N	19 mm
Thread (G)	M6x1
A2	46,4 mm
Weight	3,9 Kg
Basic dynamic load rating (C)	43,55 kN

UCFC211 Bearing 2D drawings and 3D CAD models