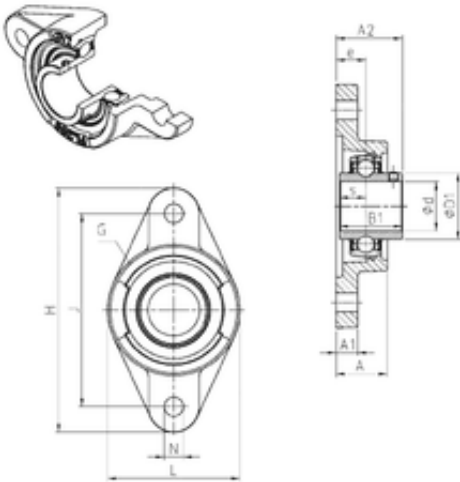




NTN Bearing Driveshaft do Brasil



SNR UCFL202 bearing units

Bearing No. UCFL202

Bore Diameter	15 mm
d	15 mm
e	15 mm
s	12,7 mm
A	25,5 mm
A1	11 mm
B1	31 mm
D1	29 mm
H	113 mm
J	90 mm
L	60 mm
N	12 mm
Thread (G)	M6x1
A2	33,3 mm
Weight	0,5 Kg
Basic dynamic load rating (C)	12,8 kN

UCFL202 Bearing 2D drawings and 3D CAD models