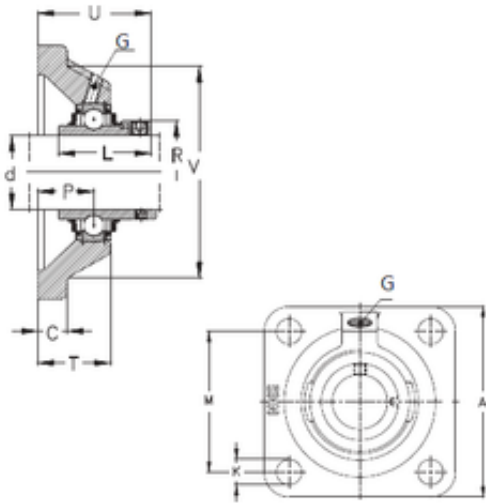




NTN Bearing Driveshaft do Brasil

NKE RCJ50-N bearing units

Bearing No. RCJ50-N



RCJ50-N Bearing 2D drawings and 3D CAD models

Bore Diameter	50 mm
d	50 mm
P	28 mm
V	125 mm
U	66,1 mm
K	18 mm
A	143 mm
C	13 mm
L	62,7 mm
M	111 mm
R	69 mm
T	39 mm
Thread (G)	R1/8 "