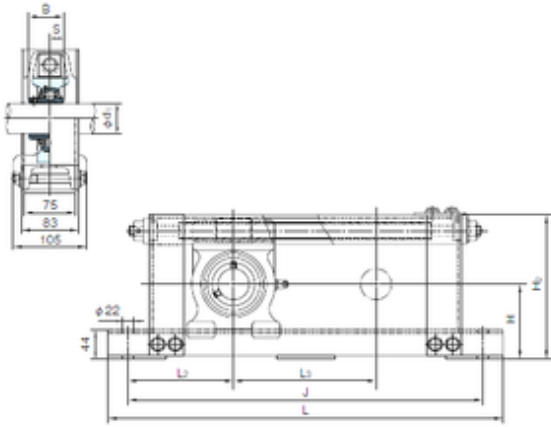




NTN Bearing Driveshaft do Brasil

NACHI UCTU209+WU600 bearing units

Bearing No. UCTU209+WU600



UCTU209+WU600 Bearing 2D drawings and 3D CAD models

Bore Diameter	45 mm
Width	19.2 mm
d	45 mm
L2	160 mm
L3	600 mm
B	19.2 mm
H	102 mm
H2	200 mm
J	920 mm
L	980 mm
S	19 mm
Bolt (G)	M18