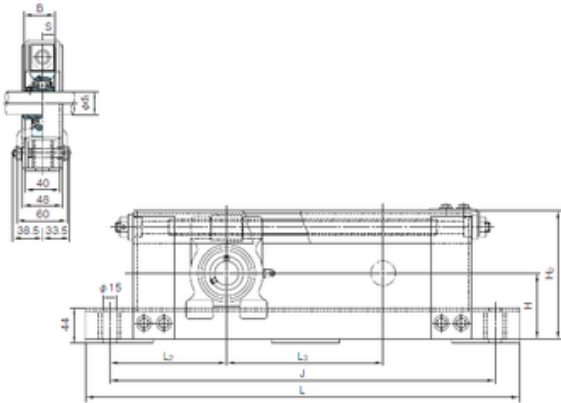




NTN Bearing Driveshaft do Brasil

NACHI UCTL205+WL400 bearing units

Bearing No. UCTL205+WL400



UCTL205+WL400 Bearing 2D drawings and 3D CAD models

Bore Diameter	25 mm
Width	34 mm
d	25 mm
L2	140 mm
L3	400 mm
B	34 mm
H	82 mm
H2	156 mm
J	680 mm
L	740 mm
S	14,3 mm
Bolt (G)	M12