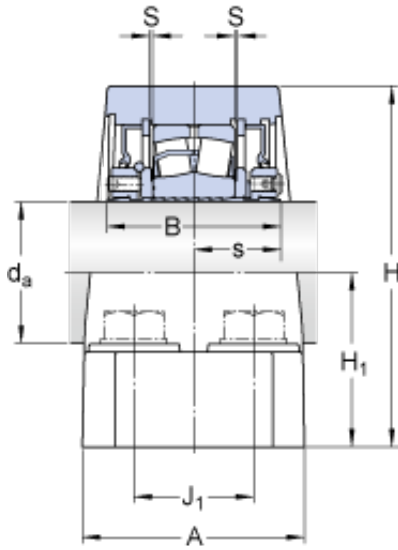




## NTN Bearing Driveshaft do Brasil

### SKF FSYE 2 15/16 N bearing units

Bearing No. FSYE 2 15/16 N



FSYE 2 15/16 N Bearing 2D drawings and 3D CAD models

Size	74.612x101.6x65.484 mm
Bore Diameter	74,612 mm
Outer Diameter	101,6 mm
Width	65,484 mm
$d_a$	74.612 mm
A	101.6 mm
B	65.484 mm
H	160.338 mm
$H_1$	79.375 mm
$H_2$	47.625 mm
L	304.8 mm
J - max.	257.175 mm
J - min.	231.775 mm
$J_1$	53.975 mm
s	32.941 mm
S	0.794 mm
Basic dynamic load rating - C	212 kN
Limiting speed	2800 r/min
$d_a$	74.612 mm
$H_1$	79.375 mm
$H_2$	47.625 mm
J max.	257.175 mm
J min.	231.775 mm
$J_1$	53.975 mm
Basic dynamic load rating C	212 kN



## NTN Bearing Driveshaft do Brasil

Mass bearing unit	10.9 kg
Attachment bolt diameter G	15.875 mm