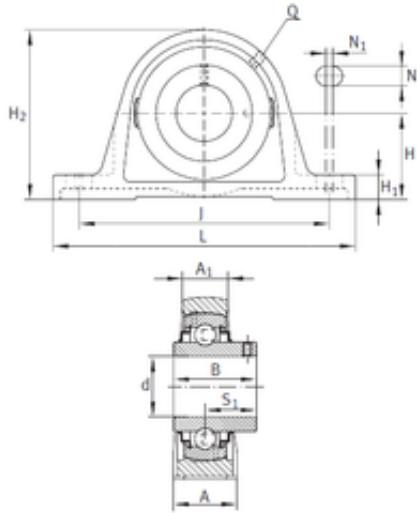




# NTN Bearing Driveshaft do Brasil



RASEY2 Bearing 2D drawings and 3D CAD models

## INA RASEY2 bearing units

Bearing No. RASEY2

Bore Diameter	50,8 mm
d	50,8 mm
S1	33,401 mm
Thread (Q)	1/8 NPT
A	62,51 mm
A1	35,002 mm
B	55,601 mm
H	63,5 mm
H1	24,994 mm
H2	126,492 mm
J	175,743 mm
L	225 mm
N	18,009 mm
N1	11,253 mm
Category	Pillow Block Bearings
Inventory	0.0
Manufacturer Name	SCHAEFFLER GROUP
Minimum Buy Quantity	N/A
Weight / Kilogram	4
Product Group	M06110
Number of Mounting Holes	2
Mounting Method	Set Screw
Housing Style	2 Bolt Pillow Block
Rolling Element	Ball Bearing
Housing Material	Cast Iron
Expansion / Non-expansion	Non-expansion



## NTN Bearing Driveshaft do Brasil

Relubricatable	Yes
Insert Part Number	GY1200KRRB
Seals	Double Land Riding Rubber Contact
Housing Configuration	1 Piece Solid
Inch - Metric	Inch
Other Features	Single Row   Standard Shaft Height
Long Description	2 Bolt Pillow Block; 2" Bore; 2-1/2" Base to Center Height; Set Screw Mount; Ball Bearing; 6.476" Minimum Bolt Spacing; 7.362" Bolt Spacing Maximum; Relubricatable; Cast Iron; Doub
Category	Pillow Block
UNSPSC	31171511
Harmonized Tariff Code	8483.20.40.40
Noun	Bearing
Keyword String	Pillow Block
Manufacturer URL	<a href="http://www.ina.com">http://www.ina.com</a>
Manufacturer Item Number	RASEY2
Weight / LBS	8.82
Bolt Spacing Minimum	6.476 Inch   164.5Millimeter
Length Thru Bore	2.189 Inch   55.6 Millimeter
Base to Center Height	2.5 Inch   63.5 Millimeter
Nominal Bolt Center to Center	6.8 Inch   171.5 Millimeter
Actual Bolt Center to Center	0 Inch   0Millimeter
Bolt Spacing Maximum	7.362 Inch   187Millimeter
Bore	2 Inch   50.8 Millimeter