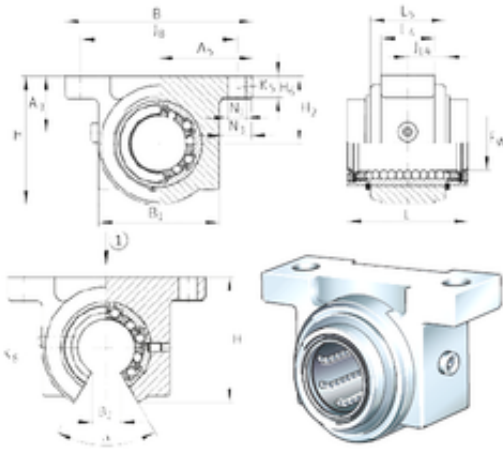




NTN Bearing Driveshaft do Brasil

INA KGBO30-PP-AS bearing units

Bearing No. KGBO30-PP-AS



KGBO30-PP-AS Bearing 2D drawings and 3D CAD models

| | |
|-------------------------------|---------|
| Bore Diameter | 30 mm |
| Fw | 30 mm |
| B | 88 mm |
| H6 | 10 mm |
| A5 | 44 mm |
| L4 | 32 mm |
| L5 | 48 mm |
| N3 | 11 mm |
| B1 | 63 mm |
| B2 | 13,6 mm |
| H | 63,5 mm |
| H2 | 35 mm |
| N1 | 6,6 mm |
| A3 | 25 mm |
| L | 68 mm |
| JB | 76 mm |
| Thread (K5) | M6 |
| JL4 | 19 mm |
| Weight | 0,78 Kg |
| Basic dynamic load rating (C) | 3,7 kN |