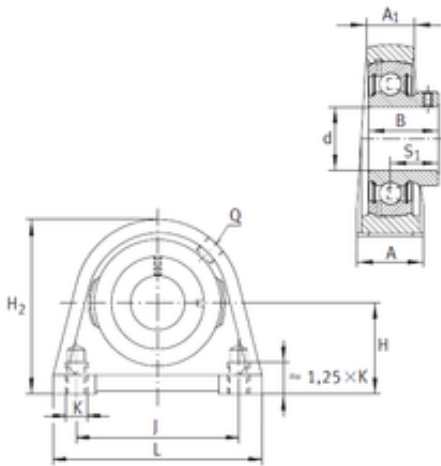




NTN Bearing Driveshaft do Brasil

INA PSHEY30-N bearing units

Bearing No. PSHEY30-N



PSHEY30-N Bearing 2D drawings and 3D CAD models

Bore Diameter	30 mm
d	30 mm
Thread (Q)	Rp1/8
Thread (K)	M10
A	40 mm
A1	25 mm
B	30 mm
H	42,9 mm
H2	82 mm
J	76,2 mm
L	98 mm
S	21 mm
Weight	0,88 Kg
Basic dynamic load rating (C)	19,5 kN
Category	Pillow Block Bearings
Inventory	0.0
Manufacturer Name	SCHAEFFLER GROUP
Minimum Buy Quantity	N/A
Weight / Kilogram	1.11
EAN	4012802807981
Product Group	M06110
Number of Mounting Holes	2
Mounting Method	Set Screw
Housing Style	2 Bolt Tap Base Pillow Block
Rolling Element	Ball Bearing
Housing Material	Cast Iron



NTN Bearing Driveshaft do Brasil

Expansion / Non-expansion	Non-expansion
Mounting Bolts	10 Millimeter
Relubricatable	Yes
Insert Part Number	GAY30NPPB
Seals	Double Lip Contact
Housing Configuration	1 Piece Solid
Inch - Metric	Metric
Other Features	Single Row Radial Metric With Grub Screw
Long Description	2 Bolt Tap Base Pillow Block; 30MM Bore; 42.9MM Base to Center Height; Set Screw Mount; Ball Bearing; Relubricatable; Cast Iron; Double Lip Contact; Non-expansion
Category	Pillow Block
UNSPSC	31171511
Harmonized Tariff Code	8483.20.40.40
Noun	Bearing
Keyword String	Pillow Block
Manufacturer URL	http://www.ina.com
Manufacturer Item Number	PSHEY30
Weight / LBS	2.448
Length Thru Bore	1.181 Inch 30 Millimeter
Base to Center Height	1.689 Inch 42.9 Millimeter
Bore	1.181 Inch 30 Millimeter
Nominal Bolt Center to Center	3 Inch 76 Millimeter
Actual Bolt Center to Center	3 Inch 76Millimeter