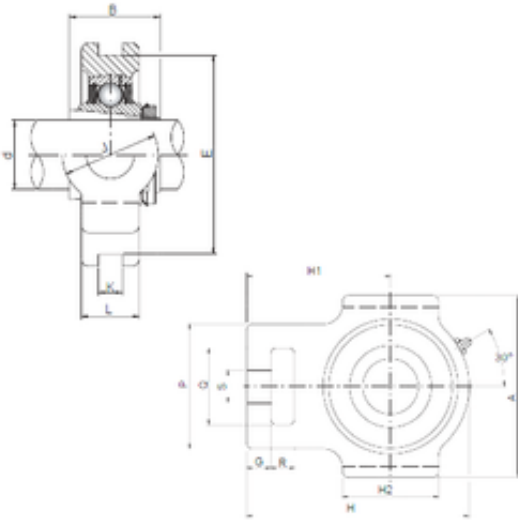




NTN Bearing Driveshaft do Brasil

ISO UKT207 bearing units

Bearing No. UKT207



UKT207 Bearing 2D drawings and 3D CAD models

Bore Diameter	30 mm
d	30 mm
P	64 mm
Q	37 mm
A	102 mm
B	43 mm
E	89 mm
G	13 mm
H	129 mm
H1	78 mm
H2	64 mm
J	37 mm
K	12 mm
L	30 mm
R	16 mm
S	22 mm