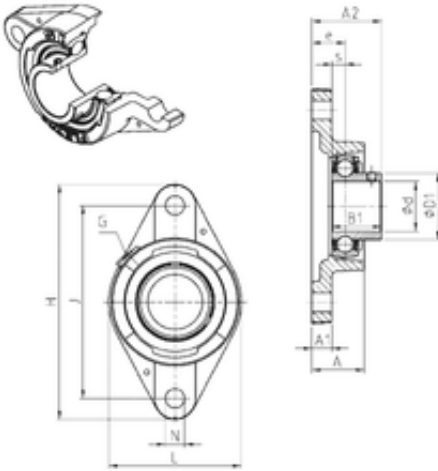




NTN Bearing Driveshaft do Brasil



SNR USFLE202 bearing units

Bearing No. USFLE202

Bore Diameter	15 mm
d	15 mm
e	17 mm
s	6 mm
A	26 mm
A1	9,5 mm
B1	22 mm
D1	24,6 mm
H	99 mm
J	76,5 mm
L	57 mm
N	11,5 mm
Thread (G)	R1/8"
A2	33 mm
Weight	0,4 Kg
Basic dynamic load rating (C)	9,55 kN

USFLE202 Bearing 2D drawings and 3D CAD models