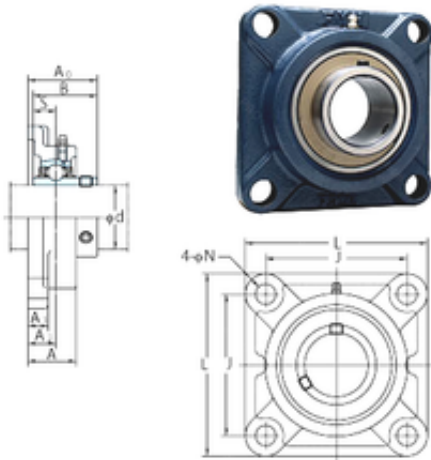




NTN Bearing Driveshaft do Brasil

FYH UCF210-30 bearing units



Bearing No. UCF210-30

Bore Diameter	47,625 mm
d	47,625 mm
A0	54,6 mm
A	40 mm
A1	16 mm
B	51,6 mm
J	111 mm
L	143 mm
N	16 mm
S	19 mm
Bolt (G)	M14
A2	22 mm
Weight	2,5 Kg
Basic dynamic load rating (C)	35,1 kN
Basic static load rating (C0)	23,3 kN

UCF210-30 Bearing 2D drawings and 3D CAD models