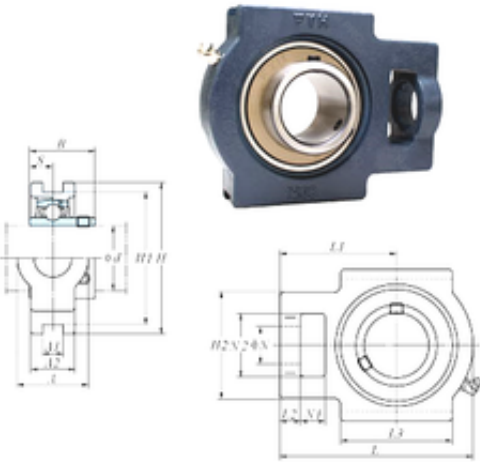




NTN Bearing Driveshaft do Brasil

FYH UCTX11E bearing units

Bearing No. UCTX11E



UCTX11E Bearing 2D drawings and 3D CAD models

Bore Diameter	55 mm
d	55 mm
L2	19 mm
L3	102 mm
A	64 mm
A1	27 mm
B	65,1 mm
H	146 mm
H1	130,17 mm
H2	102 mm
L	194 mm
L1	119 mm
N	35 mm
N1	32 mm
S	25,4 mm
A2	44 mm
N2	64 mm
Weight	5,3 Kg
Basic dynamic load rating (C)	52,4 kN
Basic static load rating (C0)	36,2 kN