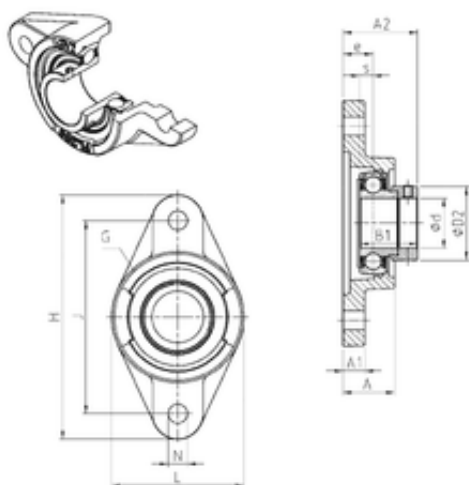




NTN Bearing Driveshaft do Brasil



SNR ESFL205 bearing units

Bearing No. ESFL205

Bore Diameter	25 mm
d	25 mm
e	16 mm
s	7,5 mm
A	27 mm
A1	13 mm
B1	30,9 mm
D2	38,1 mm
H	130 mm
J	99 mm
L	68 mm
N	16 mm
Thread (G)	M6x1
A2	39,4 mm
Weight	0,6 Kg
Basic dynamic load rating (C)	14 kN
B	21.4 mm
d1	37.4 mm
G	M6x1
s1	24.2 mm
S	7.5 mm
C	14 kN
C0	7.88 kN
T min.	-20 ° C
T max.	100 ° C
Recommended tightening	5.5 Nm

ESFL205 Bearing 2D drawings and 3D CAD models



NTN Bearing Driveshaft do Brasil

torque for set screw	
Designation of housing	FL205-
Designation of bearing	ES205G2