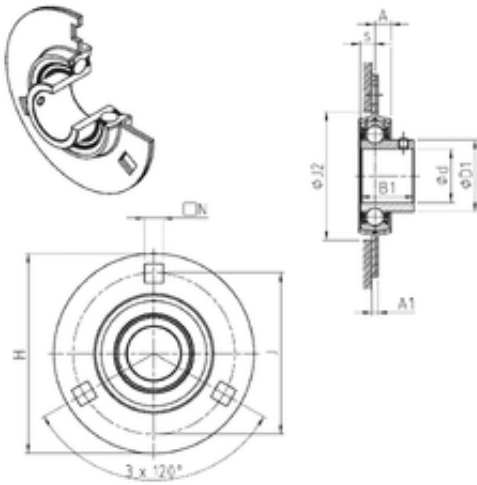




NTN Bearing Driveshaft do Brasil

SNR USPF206 bearing units

Bearing No. USPF206



USPF206 Bearing 2D drawings and 3D CAD models

Bore Diameter	30 mm
d	30 mm
s	8 mm
A	9 mm
A1	5 mm
B1	30 mm
D1	40,3 mm
H	112,7 mm
N	10,5 mm
J1	90,5 mm
J2	71 mm
Weight	0,7 Kg
Basic dynamic load rating (C)	19,5 kN