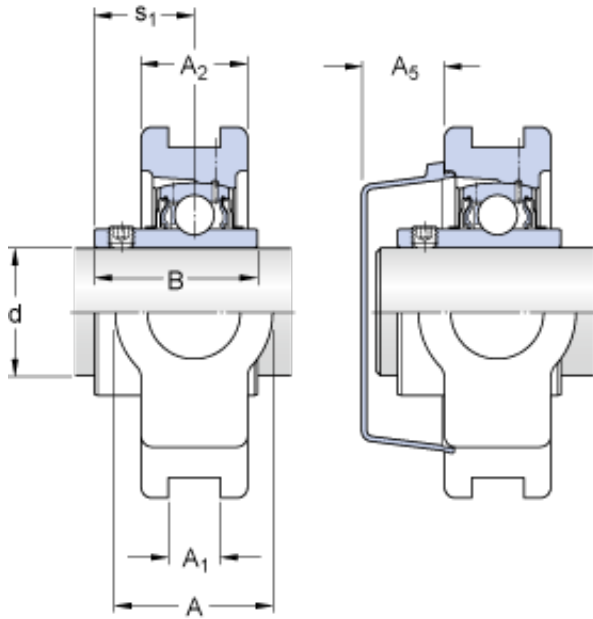




NTN Bearing Driveshaft do Brasil



TU 1.11/16 TF Bearing 2D drawings and 3D CAD models

SKF TU 1.11/16 TF bearing units

Bearing No. TU 1.11/16 TF

Size	42.862x49x17.5 mm
Bore Diameter	42,862 mm
Outer Diameter	49 mm
Width	17,5 mm
d	42.862 mm
A	49 mm
A ₁	17.5 mm
A ₂	35 mm
A ₅	23 mm
B	49.2 mm
H	117 mm
H ₁	101 mm
H ₂	83 mm
L	144 mm
L ₁	87 mm
L ₂	15 mm
L ₃	83 mm
H	29 mm
N ₁	19 mm
N ₂	49 mm
s ₁	30.2 mm
D _N	6.5 mm
SW _N	7 mm
G _N - 1/4-28 SAE-LT	1/428 SAE-LT



NTN Bearing Driveshaft do Brasil

R _G - 1/4-28 UNF	1/428 UNF
R ₁	4.5 mm
R	30 °
Basic dynamic load rating - C	33.2 kN
Basic static load rating - C ₀	21.6 kN
Fatigue load limit - P _u	0.915 kN
Limiting speed with shaft tolerance h6	4300 r/min
Mass bearing unit	2.4 kg
Grub (set) screw - G ₂ - 5/16-24 UNF	5/1624 UNF
Hexagonal key size for grub screw - H	3.969 mm
Recommended tightening torque for grub screw	6.5 N · m
Category	Take Up Unit Bearings
Inventory	0.0
Manufacturer Name	SKF
Minimum Buy Quantity	N/A
Weight / Kilogram	2.36
Product Group	M06110
Component Description	Take Up Bearing Only
Rolling Element	Ball Bearing
Housing Style	Unit Only
Mounting Method	Set Screw
Compatible Take Up Frame	Not Specified
Adjustment Travel Length	0
Insert Part Number	YAR 209-111-2F
Housing Material	Cast Iron
Other Features	Single Row Spherical Standard Duty Wide Inner Race Y Bearing M Seal Has Flinger With Grub



NTN Bearing Driveshaft do Brasil

	Screw
Inch - Metric	Inch
Long Description	Take Up Bearing Only; 1-11/16" Bore; 11/16" Slot Width; 4" Slot to Slot Distance; Ball Bearing; Unit Only; Set Screw Mount; YAR 209-111-2F Insert Part; Cast Iron Housing Material
Category	Take Up Units
UNSPSC	31171533
Harmonized Tariff Code	8483.20.40.40
Noun	Bearing
Keyword String	Take Up
Manufacturer URL	http://www.skf.com
Weight / LBS	5.2
Slot Width	0.688 Inch 17.475 Millimeter
Bore	1.688 Inch 42.875 Millimeter
Slot to Slot Distance	4 Inch 101.6 Millimeter
Housing material	Cast iron
A ₁	17.5 mm
A ₂	35 mm
A ₅	23 mm
B ₄	8 mm
H ₁	101 mm
H ₂	83 mm
L ₁	87 mm
L ₂	15 mm
L ₃	83 mm
N	29 mm
N ₁	19 mm
N ₂	49 mm



NTN Bearing Driveshaft do Brasil

s_1	30.2 mm
R_G	1/4-28 UNF
R_1	4.5 mm
R	30 °
D_N	6.5 mm
SW_N	7 mm
G_N	1/4-28 SAE-LT
Basic dynamic load rating C	33.2 kN
Basic static load rating C_0	21.6 kN
Fatigue load limit P_u	0.915 kN
Grub (set) screw G_2	5/16-24 UNF
Hexagonal key size for grub screw N	3.969 mm