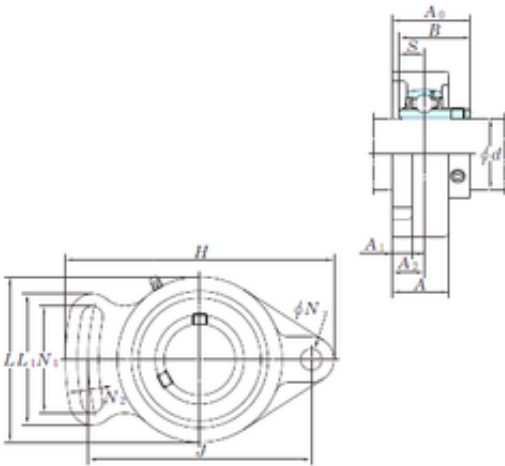




NTN Bearing Driveshaft do Brasil

KOYO UCFA207-23 bearing units

Bearing No. UCFA207-23



UCFA207-23 Bearing 2D drawings and 3D CAD models

| | |
|-------------------------------|------------|
| Bore Diameter | 36,5125 mm |
| d | 36,5125 mm |
| A0 | 44 mm |
| A | 34 mm |
| A1 | 14 mm |
| B | 42,9 mm |
| H | 155 mm |
| J | 130 mm |
| L | 96 mm |
| L1 | 75 mm |
| N | 13 mm |
| N1 | 63 mm |
| S | 17,5 mm |
| Bolt (G) | M12 |
| A2 | 18,6 mm |
| N2 | 13 mm |
| Weight | 1,5 Kg |
| Basic dynamic load rating (C) | 25,7 kN |
| Basic static load rating (C0) | 15,4 kN |