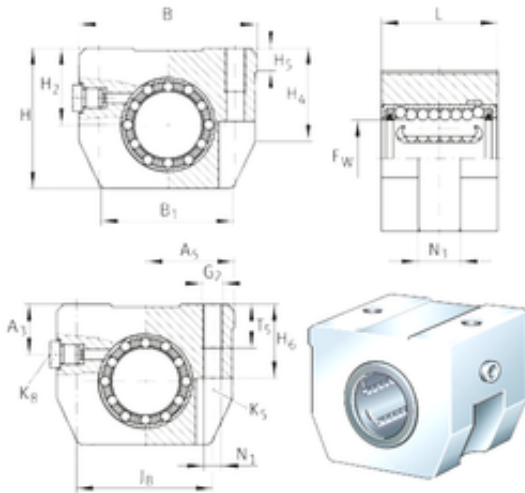




## NTN Bearing Driveshaft do Brasil



KGHK30-B-PP-AS Bearing 2D drawings and 3D CAD models

### INA KGHK30-B-PP-AS bearing units

Bearing No. KGHK30-B-PP-AS

Bore Diameter	30 mm
Fw	30 mm
H4	42,7 mm
H5	8 mm
H6	29 mm
A5	33,5 mm
B	67 mm
B1	49,6 mm
H	60 mm
H2	30 mm
L	50,2 mm
N1	6,6 mm
A3	18 mm
N2	15 mm
Thread (G2)	M8
JB	53 mm
T5	18 mm
Thread (K5)	M6
Weight	0,4 Kg
Basic dynamic load rating (C)	3,3 kN