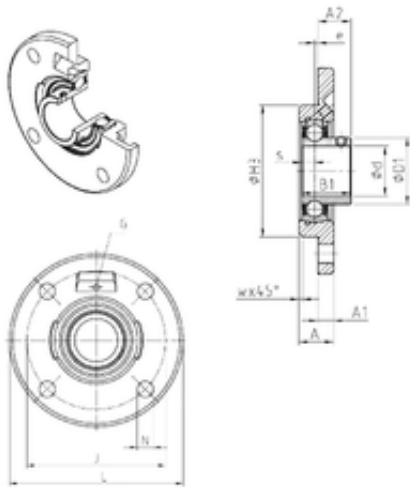




NTN Bearing Driveshaft do Brasil



SNR USFCE209 bearing units

Bearing No. USFCE209

| | |
|-------------------------------|----------|
| Bore Diameter | 45 mm |
| d | 45 mm |
| H3 | 105 mm |
| e | 2 mm |
| s | 10,2 mm |
| A | 25 mm |
| A1 | 12 mm |
| B1 | 41,2 mm |
| D1 | 57,2 mm |
| J | 130 mm |
| L | 155 mm |
| N | 14 mm |
| W | 2 mm |
| Thread (G) | M6x1 |
| A2 | 29 mm |
| Weight | 1,8 Kg |
| Basic dynamic load rating (C) | 31,85 kN |

USFCE209 Bearing 2D drawings and 3D CAD models