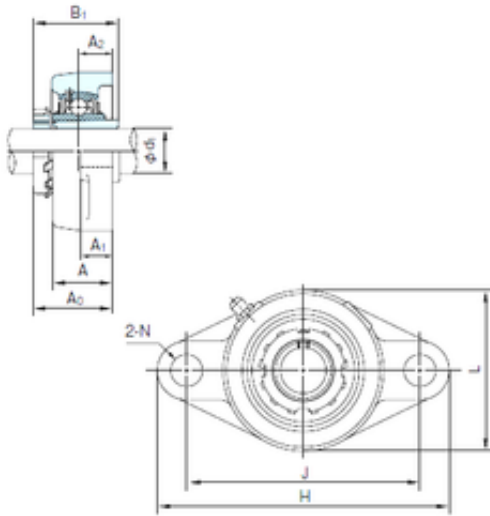




NTN Bearing Driveshaft do Brasil



NACHI UKFL311+H2311 bearing units

Bearing No. UKFL311+H2311

Bore Diameter	50 mm
d1	50 mm
A0	63.5 mm
A	52 mm
A1	20 mm
B1	59 mm
H	250 mm
J	198 mm
L	150 mm
L1	154 mm
N	25 mm
Bolt (G)	M22
A2	30 mm

UKFL311+H2311 Bearing 2D drawings and 3D CAD models