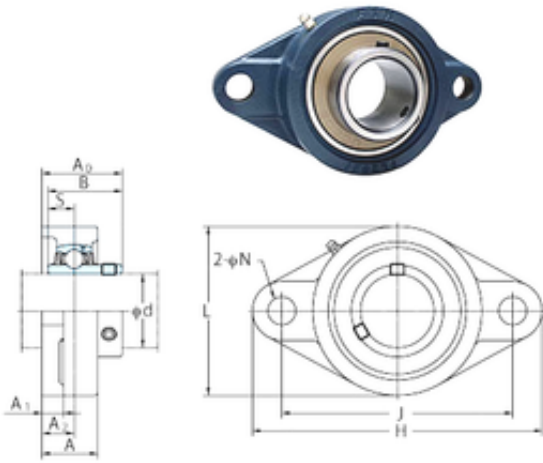




NTN Bearing Driveshaft do Brasil

FYH UCFL322 bearing units

Bearing No. UCFL322



UCFL322 Bearing 2D drawings and 3D CAD models

Bore Diameter	110 mm
d	110 mm
A0	131 mm
A	96 mm
A1	42 mm
B	117 mm
H	470 mm
J	390 mm
L	300 mm
N	44 mm
S	46 mm
Bolt (G)	13,2
Bolt (G)	M39
A2	60 mm
Weight	36,2 Kg
Basic static load rating (C0)	205 kN