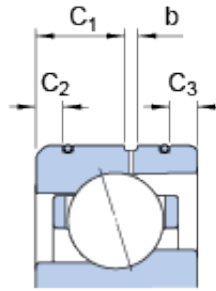
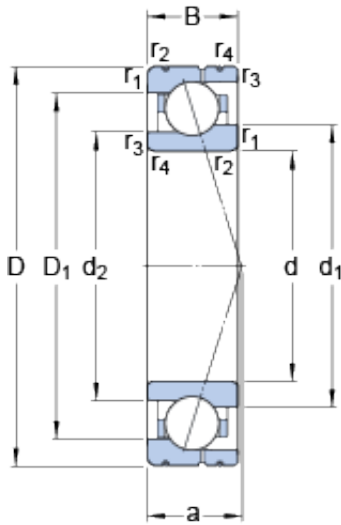




## NTN Bearing Driveshaft do Brasil



75 mm x 105 mm x 16 mm 75 mm x 105 mm x 16 mm SKF 71915 CE/P4AL angular contact ball bearings

Bearing No. 71915 CE/P4AL

71915 CE/P4AL Bearing 2D drawings and 3D CAD models

Size	105x75x16 mm
Bore Diameter	105 mm
Outer Diameter	75 mm
Width	16 mm
d	75 mm
D	105 mm
B	16 mm
d <sub>1</sub>	84.3 mm
d <sub>2</sub>	81.8 mm
D <sub>1</sub>	95.52 mm
b	2 mm
C <sub>1</sub>	8.6 mm
C <sub>2</sub>	2.8 mm
C <sub>3</sub>	2.8 mm
r <sub>1,2</sub> - min.	1 mm
r <sub>3,4</sub> - min.	0.3 mm
a	20.7 mm
d <sub>a</sub> - min.	79.6 mm
d <sub>b</sub> - min.	77 mm
D <sub>a</sub> - max.	100.4 mm
D <sub>b</sub> - max.	103 mm
r <sub>a</sub> - max.	1 mm
r <sub>b</sub> - max.	0.3 mm
d <sub>n</sub>	86.5 mm



## NTN Bearing Driveshaft do Brasil

Basic dynamic load rating - C	22.5 kN
Basic static load rating - C <sub>0</sub>	17 kN
Fatigue load limit - P <sub>u</sub>	0.72 kN
Limiting speed for grease lubrication	17500 r/min
Limiting speed for oil lubrication	27000 mm/min
Ball - D <sub>w</sub>	9.525 mm
Ball - z	23
G <sub>ref</sub>	4.5 cm <sup>3</sup>
Calculation factor - f <sub>0</sub>	8.5
Preload class A - G <sub>A</sub>	120 N
Preload class B - G <sub>B</sub>	361 N
Preload class C - G <sub>C</sub>	722 N
Calculation factor - f	1.16
Calculation factor - f	1
Calculation factor - f <sub>2A</sub>	1
Calculation factor - f <sub>2B</sub>	1.04
Calculation factor - f <sub>2C</sub>	1.08
Calculation factor - f <sub>HC</sub>	1
Preload class A	54 N/micron
Preload class B	86 N/micron
Preload class C	118 N/micron
d <sub>1</sub>	84.3 mm
d <sub>2</sub>	81.8 mm
D <sub>1</sub>	95.52 mm
C <sub>1</sub>	8.6 mm
C <sub>2</sub>	2.8 mm
C <sub>3</sub>	2.8 mm
r <sub>1,2</sub> min.	1 mm



## NTN Bearing Driveshaft do Brasil

$r_{3,4}$ min.	0.3 mm
$d_a$ min.	79.6 mm
$d_b$ min.	77 mm
$D_a$ max.	100.4 mm
$D_b$ max.	103 mm
$r_a$ max.	1 mm
$r_b$ max.	0.3 mm
$d_n$	86.5 mm
Basic dynamic load rating C	22.5 kN
Basic static load rating $C_0$	17 kN
Fatigue load limit $P_u$	0.72 kN
Attainable speed for grease lubrication	17500 r/min
Attainable speed for oil-air lubrication	27000 r/min
Ball diameter $D_w$	9.525 mm
Number of balls z	23
Reference grease quantity $G_{ref}$	4.5 cm <sup>3</sup>
Preload class A $G_A$	120 N
Static axial stiffness, preload class A	54 N/ $\mu$ m
Preload class B $G_B$	361 N
Static axial stiffness, preload class B	86 N/ $\mu$ m
Preload class C $G_C$	722 N
Static axial stiffness, preload class C	118 N/ $\mu$ m
Calculation factor f	1.16
Calculation factor $f_1$	1
Calculation factor $f_{2A}$	1
Calculation factor $f_{2B}$	1.04
Calculation factor $f_{2C}$	1.08
Calculation factor $f_{HC}$	1



## NTN Bearing Driveshaft do Brasil

Calculation factor $f_0$	8.5
Mass bearing	0.34 kg