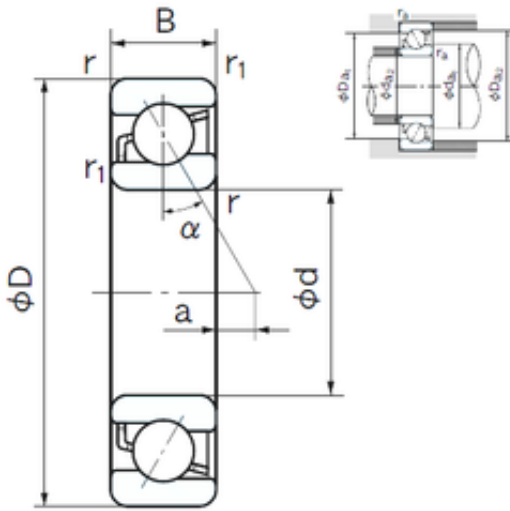




NTN Bearing Driveshaft do Brasil



20 mm x 52 mm x 15 mm 20 mm x 52 mm x 15 mm NACHI 7304B angular contact ball bearings

Bearing No. 7304B

7304B Bearing 2D drawings and 3D CAD models

Size	20x52x15 mm
Bore Diameter	20 mm
Outer Diameter	52 mm
Width	15 mm
d	20 mm
D	52 mm
B	15 mm
C	15 mm
Angle (°)	40 °
a	7.6 mm
r min.	1.1 mm
r1 min.	0.6 mm
da min.	27 mm
Da max.	45 mm
ra max.	1 mm
Weight	0.150 Kg
Basic dynamic load rating (C)	17,8 kN
Basic static load rating (C0)	9,9 kN
(Grease) Lubrication Speed	10000 r/min
Category	Angular Contact Ball Bearings
Inventory	0.0
Manufacturer Name	NACHI
Minimum Buy Quantity	N/A
Weight / Kilogram	0.15



NTN Bearing Driveshaft do Brasil

EAN	4991893858587
Product Group	B00308
Enclosure	Open
Flush Ground	No
Rolling Element	Ball Bearing
Number of Rows of Balls	Single Row
Precision Class	ABEC 1 ISO P0
Maximum Capacity / Filling Slot	No
Snap Ring	No
Cage Material	Steel
Contact Angle	40 Degree
Internal Clearance	C0-Medium
Number of Bearings	1 (Single)
Inch - Metric	Metric
Long Description	20MM Bore; 52MM Outside Diameter; 15MM Width; Open; No Flush Ground; Ball Bearing; Single Row of Balls; ABEC 1 ISO P0; No Filling Slot; No Snap Ring
Category	Angular Contact Ball Bearing
UNSPSC	31171531
Harmonized Tariff Code	8482.10.50.28
Noun	Bearing
Keyword String	Angular Contact
Manufacturer URL	http://www.nachi.com
Manufacturer Item Number	7304 B BNLS
Weight / LBS	0.33
Outside Diameter	2.047 Inch 52 Millimeter
Bore	0.787 Inch 20 Millimeter
Width	0.591 Inch 15 Millimeter
Configuration	Single Row



NTN Bearing Driveshaft do Brasil

Bore Type	Cylindrical Bore
Bore Size	20 mm
Fillet Radius/Chamfer	1.1 mm
r1	0.6 mm
Dynamic Load Rating	17,800 N
Static Load Rating	9,900 N
Limiting Speed - Grease	10,000 rpm
Limiting Speed - Oil	15,000 rpm
da1 (min)	27 mm
da2 (min)	25 mm
Da1 (max)	45 mm
Da2 (max)	47 mm
ra (max)	1 mm
ra1 (max)	0.6 mm