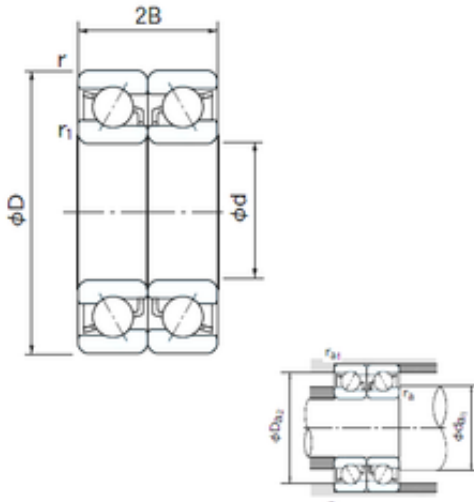




NTN Bearing Driveshaft do Brasil



7219DB Bearing 2D drawings and 3D CAD models

95 mm x 170 mm x 32 mm 95 mm x 170 mm x 32 mm NACHI 7219DB angular contact ball bearings

Bearing No. 7219DB

Size	95x170x32 mm
Bore Diameter	95 mm
Outer Diameter	170 mm
Width	32 mm
d	95 mm
D	170 mm
B	32 mm
C	32 mm
Angle (°)	30 °
a	22.2 mm
r min.	2.1 mm
r1 min.	1.1 mm
2B	64 mm
da min.	102 mm
Da max.	163 mm
ra max.	1 mm
Weight	2.78 Kg
Basic dynamic load rating (C)	205 kN
Basic static load rating (C0)	225 kN
(Grease) Lubrication Speed	2600 r/min
Bore Type	Cylindrical Bore
Enclosure	Open
Configuration	Duplex
Bore Size	95 mm



NTN Bearing Driveshaft do Brasil

Outside Diameter	170 mm
Width	32 mm
Fillet Radius/Chamfer	2.1 mm
r1	1.1 mm
Dynamic Load Rating	205,000 N
Static Load Rating	225,000 N
Limiting Speed - Grease	2,600 rpm
Limiting Speed - Oil	3,600 rpm
da1 (min)	107 mm
da2 (min)	102 mm
Da1 (max)	158 mm
Da2 (max)	163 mm
ra (max)	2 mm
ra1 (max)	1 mm