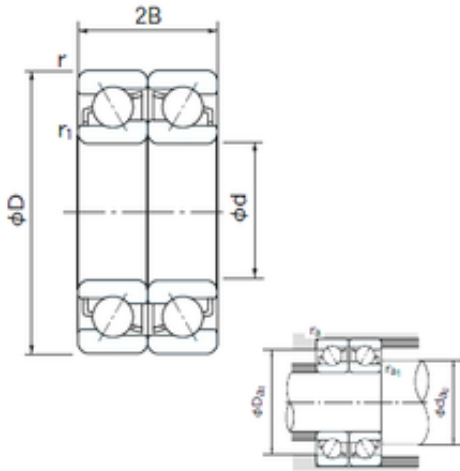




NTN Bearing Driveshaft do Brasil



45 mm x 85 mm x 19 mm 45 mm x 85 mm x 19 mm NACHI 7209CDF angular contact ball bearings

Bearing No. 7209CDF

7209CDF Bearing 2D drawings and 3D CAD models

Size	45x85x19 mm
Bore Diameter	45 mm
Outer Diameter	85 mm
Width	19 mm
d	45 mm
D	85 mm
B	19 mm
C	19 mm
Angle (°)	15 °
a -	2.0 mm
r min.	1.1 mm
r1 min.	0.6 mm
2B	38 mm
da min.	52 mm
Da max.	80 mm
ra max.	0.6 mm
Weight	0.430 Kg
Basic dynamic load rating (C)	66,5 kN
Basic static load rating (C0)	58 kN
(Grease) Lubrication Speed	9600 r/min
Bore Type	Cylindrical Bore
Enclosure	Open
Configuration	Duplex
Bore Size	45 mm



NTN Bearing Driveshaft do Brasil

Outside Diameter	85 mm
Width	19 mm
Fillet Radius/Chamfer	1.1 mm
r1	0.6 mm
Dynamic Load Rating	66,500 N
Static Load Rating	58,000 N
Limiting Speed - Grease	9,600 rpm
Limiting Speed - Oil	13,000 rpm
da1 (min)	52 mm
da2 (min)	52 mm
Da1 (max)	78 mm
Da2 (max)	80 mm
ra (max)	1 mm
ra1 (max)	0.6 mm