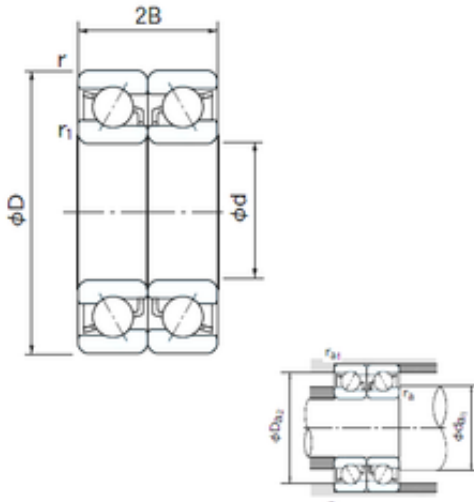




NTN Bearing Driveshaft do Brasil



7221CDB Bearing 2D drawings and 3D CAD models

105 mm x 190 mm x 36 mm 105 mm x 190 mm
x 36 mm NACHI 7221CDB angular contact ball
bearings

Bearing No. 7221CDB

Size	105x190x36 mm
Bore Diameter	105 mm
Outer Diameter	190 mm
Width	36 mm
d	105 mm
D	190 mm
B	36 mm
C	36 mm
Angle (°)	15 °
a -	0.9 mm
r min.	2.1 mm
r1 min.	1.1 mm
2B	72 mm
da min.	117 mm
Da max.	183 mm
ra max.	1 mm
Weight	3.93 Kg
Basic dynamic load rating (C)	265 kN
Basic static load rating (C0)	287 kN
(Grease) Lubrication Speed	4300 r/min
Bore Type	Cylindrical Bore
Enclosure	Open
Configuration	Duplex
Bore Size	105 mm



NTN Bearing Driveshaft do Brasil

Outside Diameter	190 mm
Width	36 mm
Fillet Radius/Chamfer	2.1 mm
r1	1.1 mm
Dynamic Load Rating	265,000 N
Static Load Rating	287,000 N
Limiting Speed - Grease	4,300 rpm
Limiting Speed - Oil	6,000 rpm
da1 (min)	117 mm
da2 (min)	117 mm
Da1 (max)	178 mm
Da2 (max)	183 mm
ra (max)	2 mm
ra1 (max)	1 mm