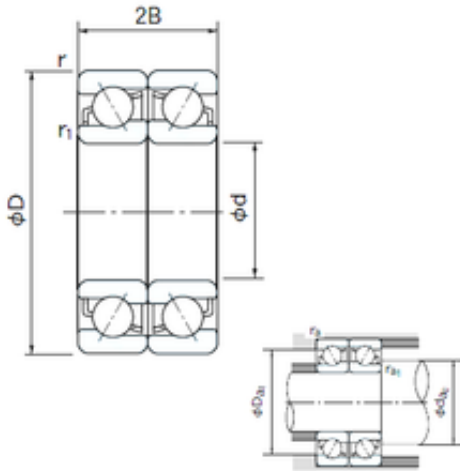




NTN Bearing Driveshaft do Brasil



130 mm x 230 mm x 40 mm 130 mm x 230 mm
x 40 mm NACHI 7226CDF angular contact ball
bearings

Bearing No. 7226CDF

7226CDF Bearing 2D drawings and 3D CAD models

Size	130x230x40 mm
Bore Diameter	130 mm
Outer Diameter	230 mm
Width	40 mm
d	130 mm
D	230 mm
B	40 mm
C	40 mm
Angle (°)	15 °
a	0.9 mm
r min.	3 mm
r1 min.	1.1 mm
2B	80 mm
da min.	144 mm
Da max.	223 mm
ra max.	1 mm
Weight	6.88 Kg
Basic dynamic load rating (C)	350 kN
Basic static load rating (C0)	430 kN
(Grease) Lubrication Speed	3500 r/min
Bore Type	Cylindrical Bore
Enclosure	Open
Configuration	Duplex
Bore Size	130 mm



NTN Bearing Driveshaft do Brasil

Outside Diameter	230 mm
Width	40 mm
Fillet Radius/Chamfer	3 mm
r1	1.1 mm
Dynamic Load Rating	350,000 N
Static Load Rating	430,000 N
Limiting Speed - Grease	3,500 rpm
Limiting Speed - Oil	4,900 rpm
da1 (min)	144 mm
da2 (min)	144 mm
Da1 (max)	216 mm
Da2 (max)	223 mm
ra (max)	2.5 mm
ra1 (max)	1 mm