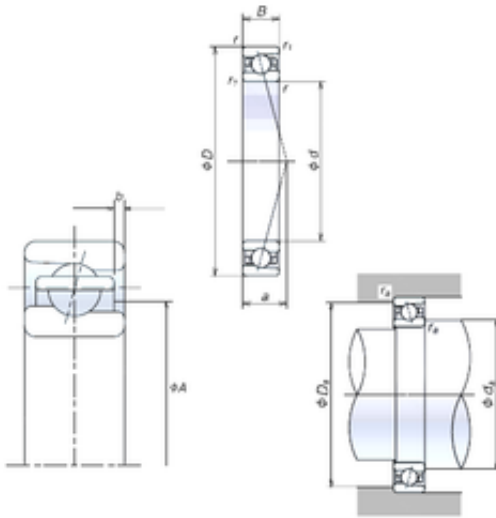




NTN Bearing Driveshaft do Brasil

75 mm x 105 mm x 16 mm 75 mm x 105 mm x 16 mm NSK 75BNR19H angular contact ball bearings



75BNR19H Bearing 2D drawings and 3D CAD models

Bearing No. 75BNR19H

Size	75x105x16 mm
Bore Diameter	75 mm
Outer Diameter	105 mm
Width	16 mm
d	75 mm
D	105 mm
B	16 mm
C	16 mm
Angle (°)	18 °
a	22,6 mm
b	0,7 mm
r min.	1 mm
r1 min.	0,6 mm
A	85 mm
da min.	81 mm
Da max.	99 mm
ra max.	1 mm
Weight	0,31 Kg
Basic dynamic load rating (C)	21,6 kN
Basic static load rating (C0)	19 kN
(Grease) Lubrication Speed	20000 r/min